

OVERALL [1]:

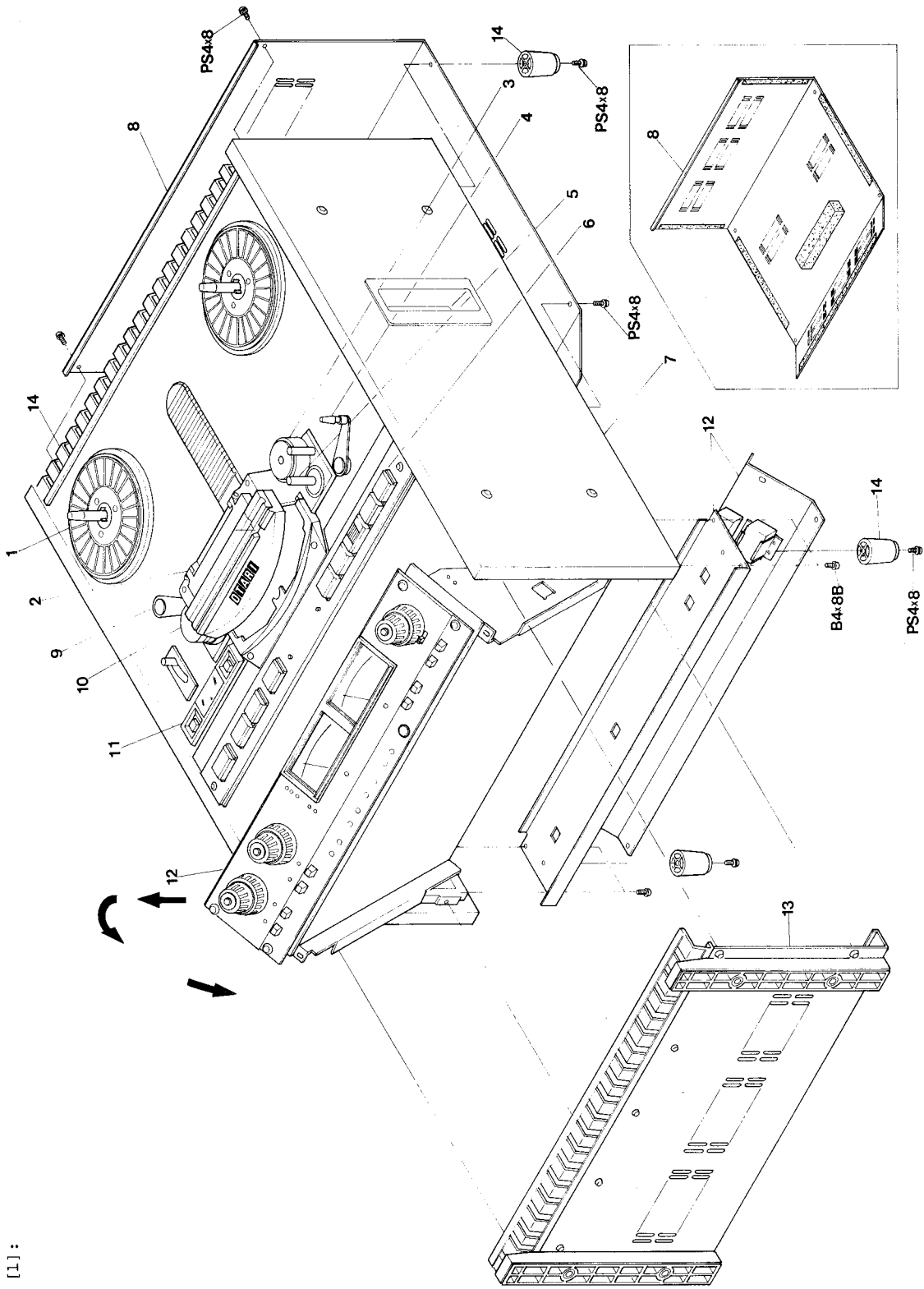
<u>Ref. No.</u>	<u>Description</u>	<u>Parts No.</u>	<u>Notes</u>
1- 1	Reel Ass'y	KW-4J	
2	Head Ass'y	KH-41I	
3	Pinch Roller Ass'y	KP-4N	
4	Tension Ass'y	KA-4Y	
5	Capstan Ass'y	KC-4X	
6	Control Switch Ass'y	CB-252	
7	Side Panel Ass'y	K105601	
8	Rear Cover Ass'y	K106801	
9	Tension Arm Ass'y	KA-4X	
10	Impedance Roller Ass'y	KI-4J	
11	Tape Timer Ass'y	SR-50	
12	Rec. & Repro. Amp. Ass'y	A1062	
13	Panel Ass'y	K106802	
	Panel Bottom	K102906	
	Angle L	K102909	
	Angle R	K102910	
	Bracket	K102907	
	Foot Bottom	CY4011-A	
	Escutcheon Ventilate	CY5001A	
14	Escutcheon	CY5001A	

SECTION IX  
EXPLODED VIEW DRAWINGS AND PARTS LISTS

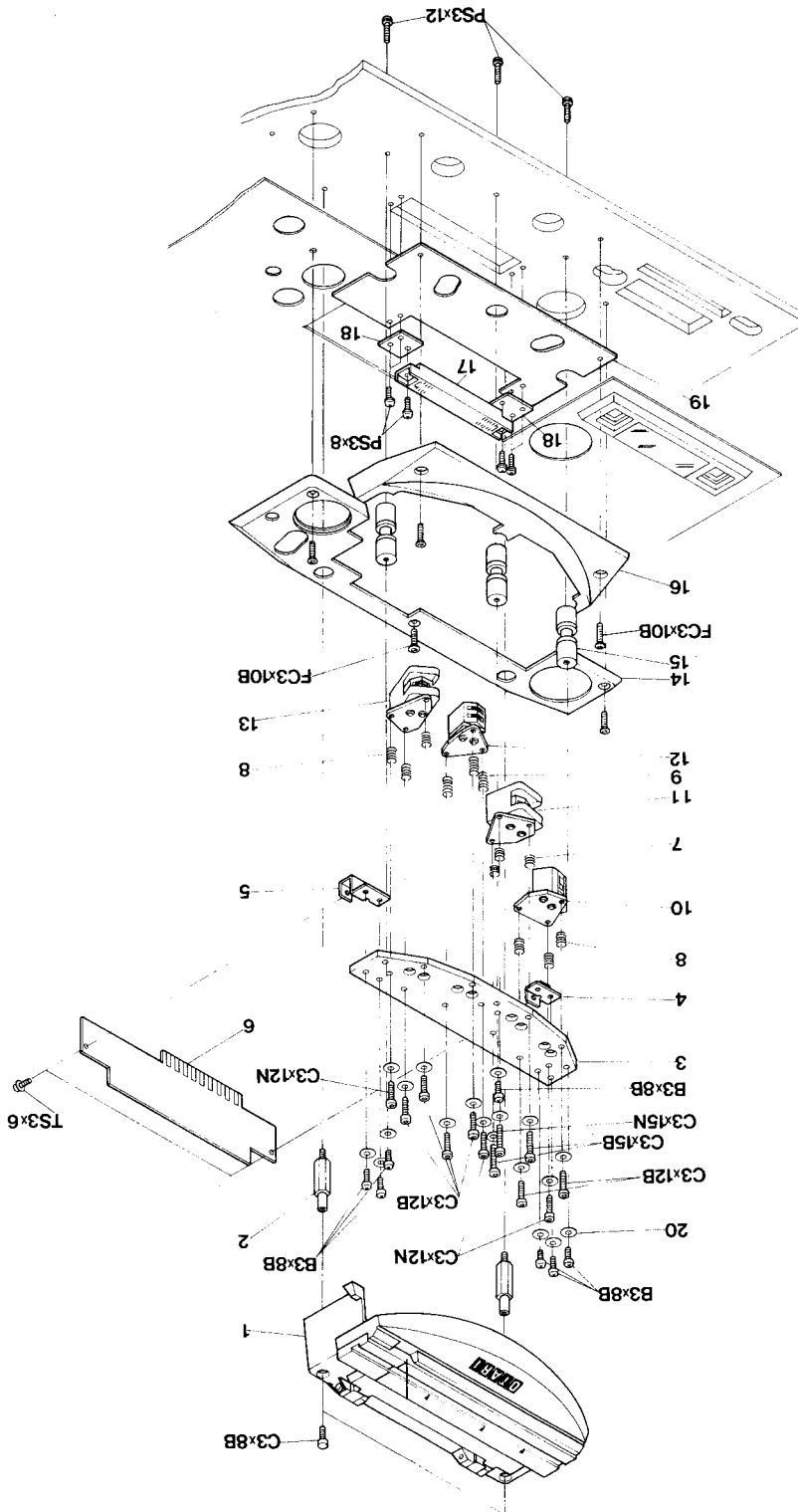
The followings are the exploded view drawings and parts lists. Parts list titles are followed by a key number which refers to the corresponding exploded view drawing number.

When ordering parts, give a full description, using both the part number and the name of the part. If there seems to be a discrepancy between the drawings herein and your machine, contact OTARI.

OVERALL [1]:



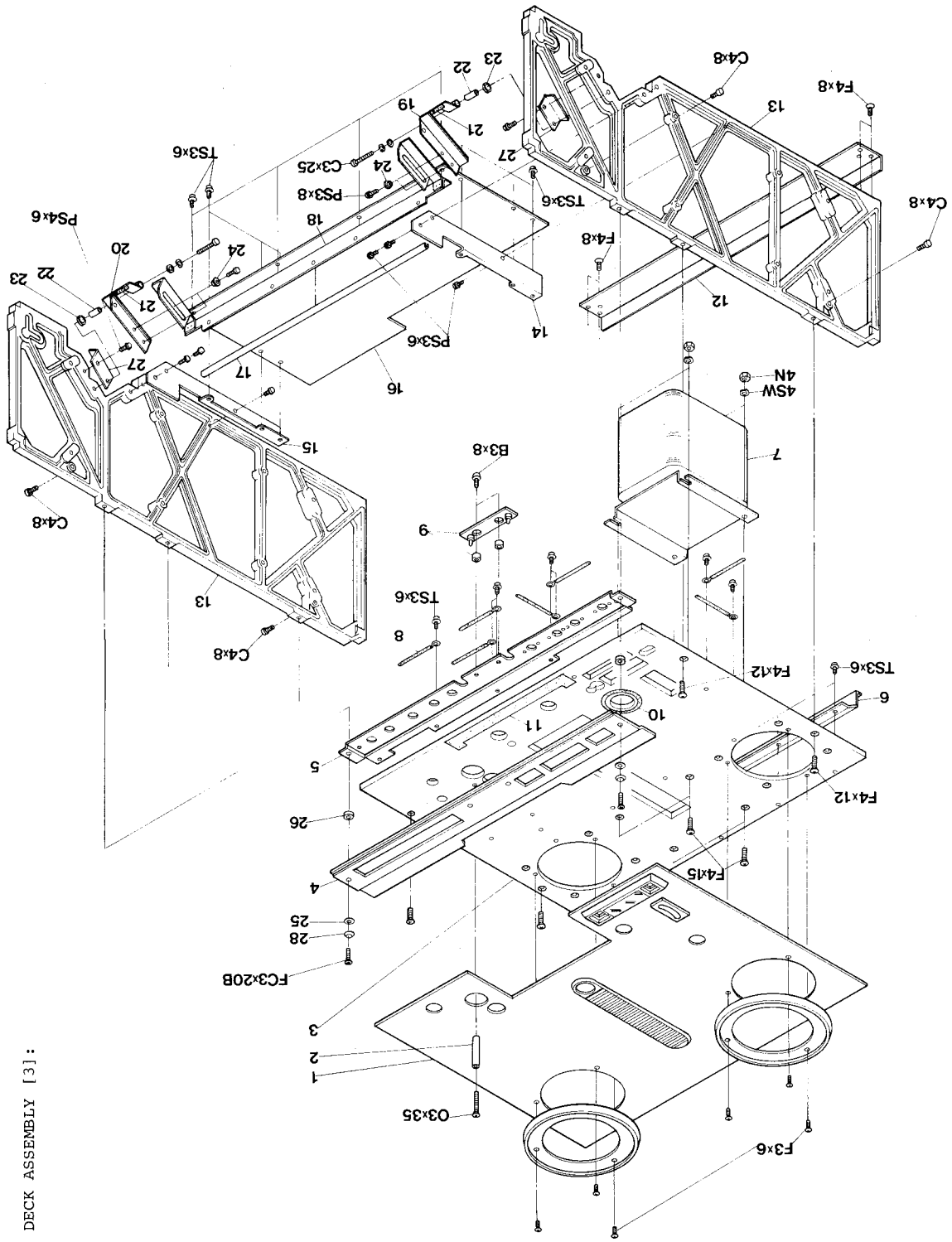
KH-411 HEAD ASSEMBLY [2]:



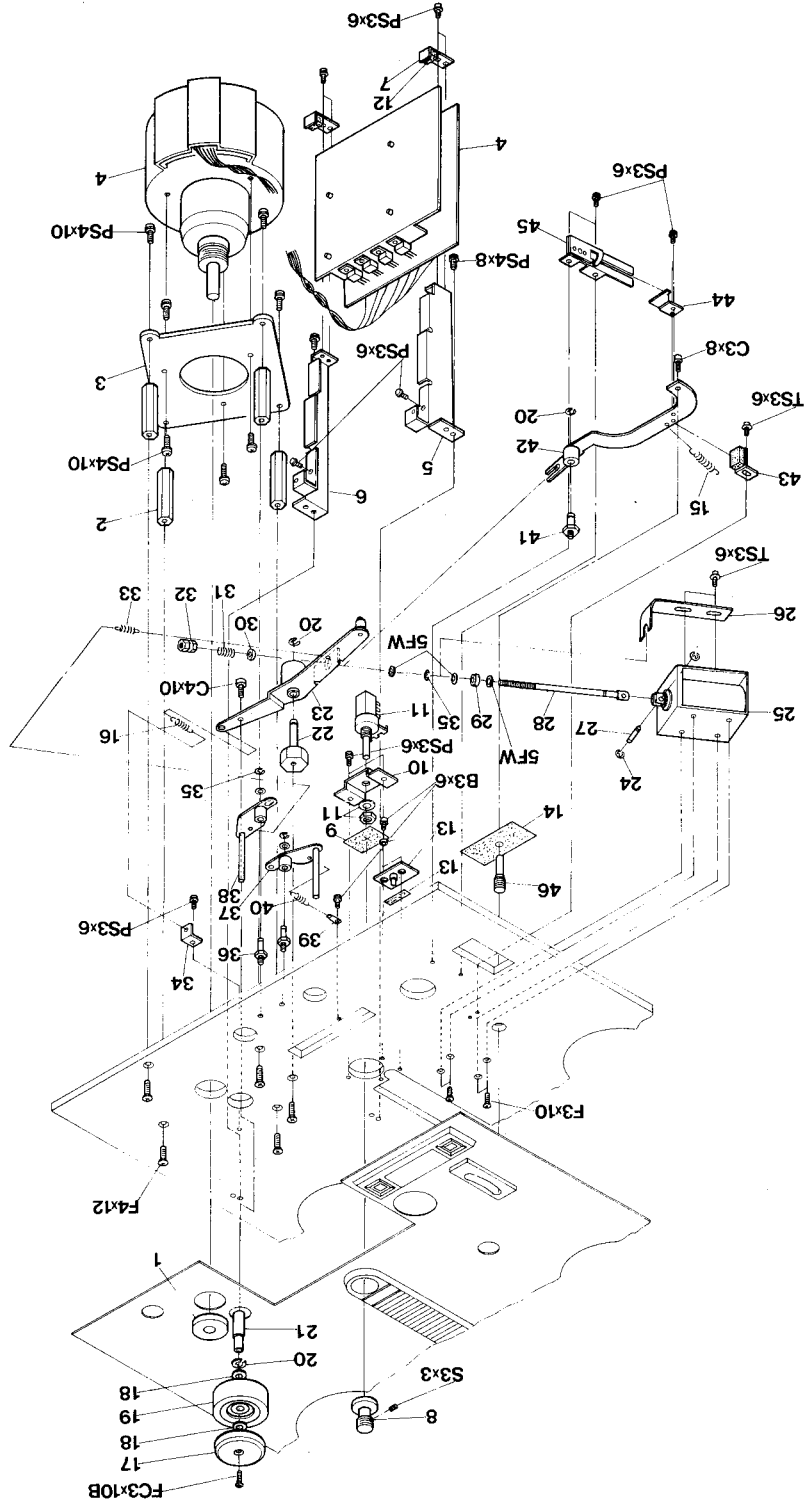
KH-41I HEAD ASSEMBLY [2]:

<u>Ref. No.</u>	<u>Description</u>	<u>Parts No.</u>	<u>Notes</u>
2- 1	Head Housing Ass'y	KH-4Y-A	
2	Stud	KH4Y009	
3	Base Plate Head	KH0C019	
4	Bracket P.C.B. L	KH41I01	
5	Bracket P.C.B. R	KH41I02	
6	P.C.B. Ass'y Head	PB-78I	
7	Spring Head	GS2019	
8	Spring Head	GS2016	
9	Spring Head	GS2015	
10	Head Ass'y Erase	2T/2CH 4T/2CH FT GH4E082B	B2H B4H BF
		2T/2CH DIN	B2H-DIN
11	Head Ass'y Repro.	4T/2CH 2T/2CH GH4Po69C	B2H B2H-DIN B4H FT
12	Head Ass'y Rec.	2T/2CH 4T/2CH FT GH4R005B	B2H B2H-DIN B4H FT
13	Head Ass'y Repro.	2T/2CH 4T/2CH FT GH4P027A	B2H B2H-DIN B4H FT
14	Cover Housing A	GH4P056B KH0F038	
15	Guide Tape	KG0D00C	
16	Housing Head	KH0F037	
17	Connector	CN314002	
18	Bracket Connector	KH4Y004	
19	Plate Shield	KH4Y001A	
20	Washer Polyslider	F524-3	

T5067 TAPE DECK ASSEMBLY [3]:



KC-4X CAPSTAN ASSEMBLY [4]:  
 KP-4N PINCH ROLLER ASSEMBLY [4]:  
 KP-4L SHIFTER ASSEMBLY [4]:



KC-4X CAPSTAN ASSEMBLY [4]:  
 KP-4N PINCH ROLLER ASSEMBLY [4]:  
 KP-4L SHIFTER ASSEMBLY [4]:

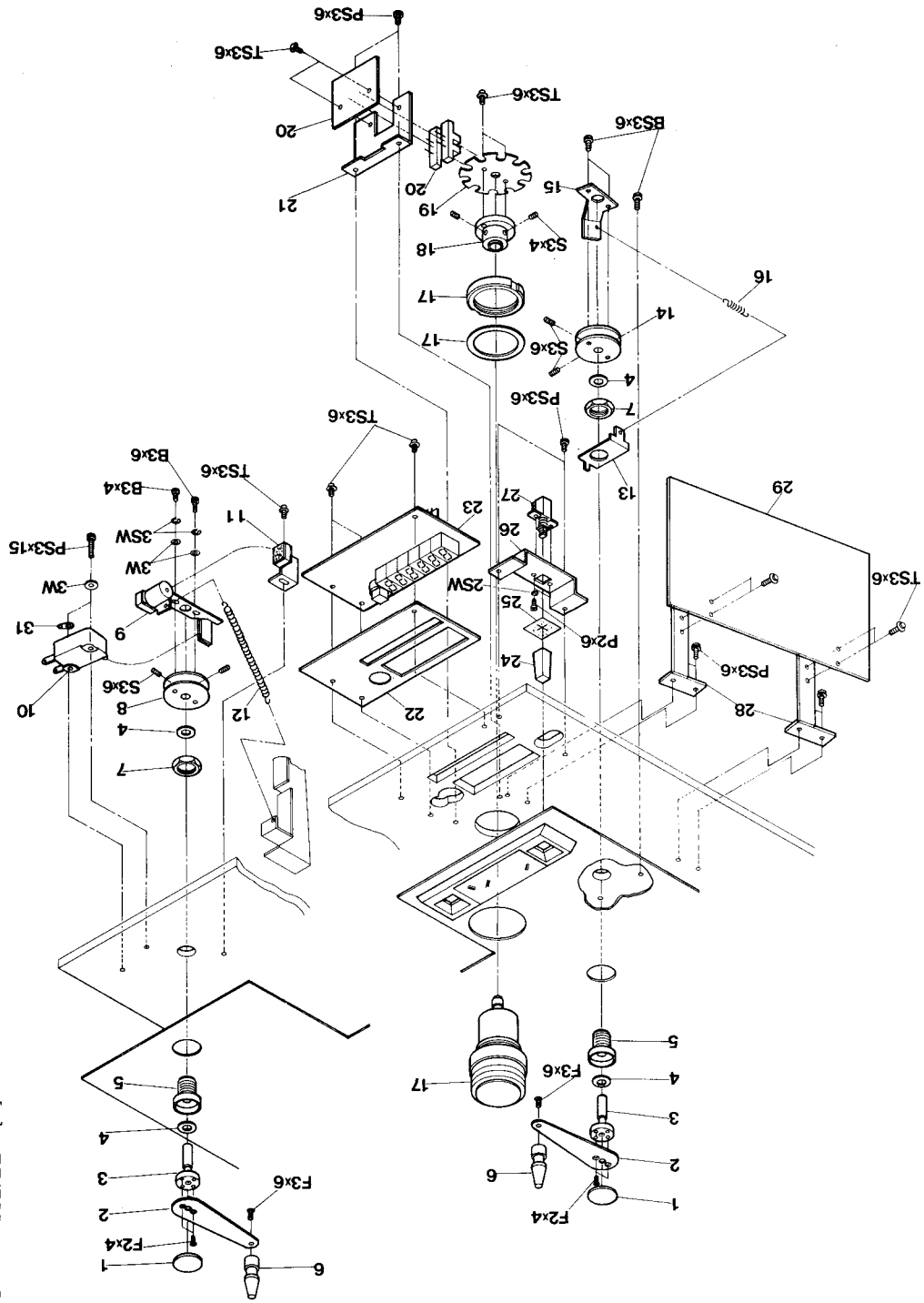
<u>Ref. No.</u>	<u>Description</u>	<u>Parts No.</u>	<u>Notes</u>
4- 1	Cap Dust	KCB011A	
2	Stud	KZ9I455A	
3	Bracket Motor	KC4H001	
4	Motor DC	MR5A021	
5	Bracket P.C.B. L	KC4X001	
6	Bracket P.C.B. R	KC4X002	
7	Supporter	KZ3A107	
8	Knob	KN1024A	
9	Blind	PZ1B037	
10	Plate Mounting Potentiometer	KC4H002	
11	Potentiometer	RV252009	
12	Damper	PZ1C011	
13	P.C.B. Ass'y LED	PB-83C	
14	Blind	PZ1B001	
15	Spring	GS1033	
16	Spring	GS1011	
17	Cap Pinch Roller	KP0C020	
18	Washer	F523-6	
19	Pinch Roller	KP0A007	
20	Ring E	F74TE20	
21	Shaft Pinch Roller	KP0B010	
22	Shaft Arm	KP4L001	
23	Arm Ass'y Pinch Roller	KP-4N-A	
24	Ring E	F74TE09	
25	Solenoid	GP1B10	
26	Stopper	KZ2A016	
27	Pin Solenoid	KZ5A003	
28	Screw Adjust	KZ6A022	
29	Damper	PZ1C021	
30	Washer Trim	KP0G004	
31	Spring	GS2003	
32	Nut Lock	F517-4	
33	Spring	GS1028-A	
34	Plate Spring	KZ3A023	
35	Ring E	F74TE15	
36	Shaft Arm	KR4B001	
37	Arm Shifter A	KR0B005	
38	Arm Shifter B	KR0B006	
39	Terminal Solder	CN7D-002	
40	Spring	GS1087	
41	Shaft Arm	KR4B007	
42	Arm Cue	KR4C001	
43	Stopper Ass'y	KR-4L-A	
44	Hook	KR4C003	
45	Arm Lock	KR-4C-A	
46	Lever Cue	KR4F002A	



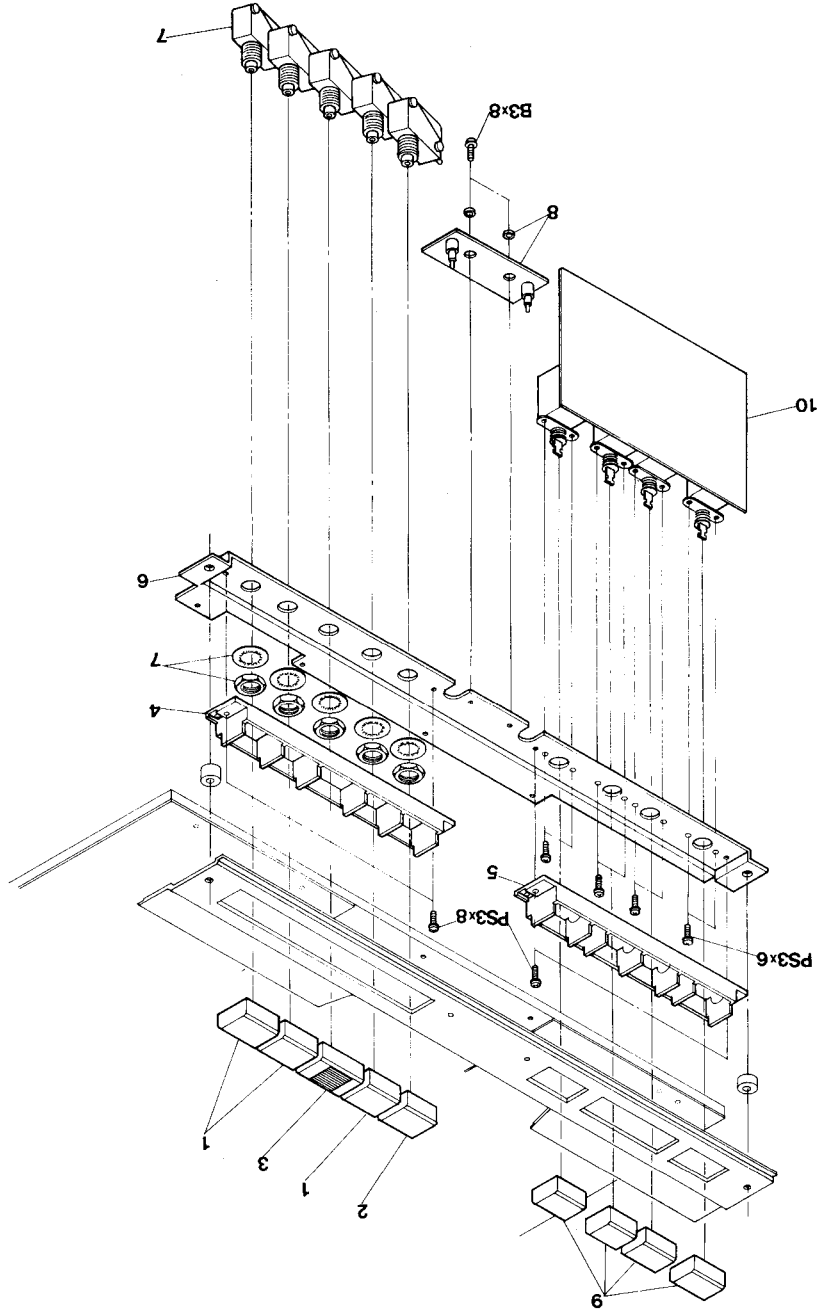
KA-4X TENSION ARM ASSEMBLY [5]:  
 KI-4J IMPEDANCE ROLLER ASSEMBLY [5]:  
 SR-50 TAPE TIMER ASSEMBLY [5]:

<u>Ref. No.</u>	<u>Description</u>	<u>Parts No.</u>	<u>Notes</u>
5- 1	Cap Arm	KA0C005	
2	Arm Tension	KA0A017A	
3	Shaft Arm	KA4J001	
4	Washer Polly Slider	F524-5	
5	Holder Arm	KA0B008	
6	Guide Tape	KG4D007	
7	Nut	KZ6D004	
8	Plate Spring	KA0E005	
9	Actuator Ass'y Switch	KA-4K-B	
10	Switch Micro	WH51027	
11	Magnet Ass'y	KA-4K-A	
12	Spring	GS1048	
13	Bracket Spring	KZ3A024	
14	Bracket Spring	KA0E017	
15	Stopper Arm	KA4X001	
16	Spring	GS1025	
17	Sub Ass'y Impedance Roller	KI-4J-A	
18	Boss	KI4F001A	
19	Encoder	KI4G003	
20	P.C.B. Ass'y Direction Detection	PB-82M	
21	P.C.B. Ass'y Bracket	KI4G002	
22	Sheet Insulation	SR5K002	
23	P.C.B. Ass'y Timer	PB-82L	
24	Button	KN2067	
25	Blind	PZ1B053	
26	Bracket Switch	SR5K001	
27	Switch Push	WH12149	
28	Bracket P.C.B.	KZ3A106	
29	P.C.B. Ass'y Timer Drive	PB-46R	

KA-4X TENSION ARM ASSEMBLY [5]:  
 KI-4J IMPEDANCE ROLLER ASSEMBLY [5]:  
 SR-50 TAPE TIMER ASSEMBLY [5]:



CB-252 CONTROL SWITCH ASSEMBLY [6]:



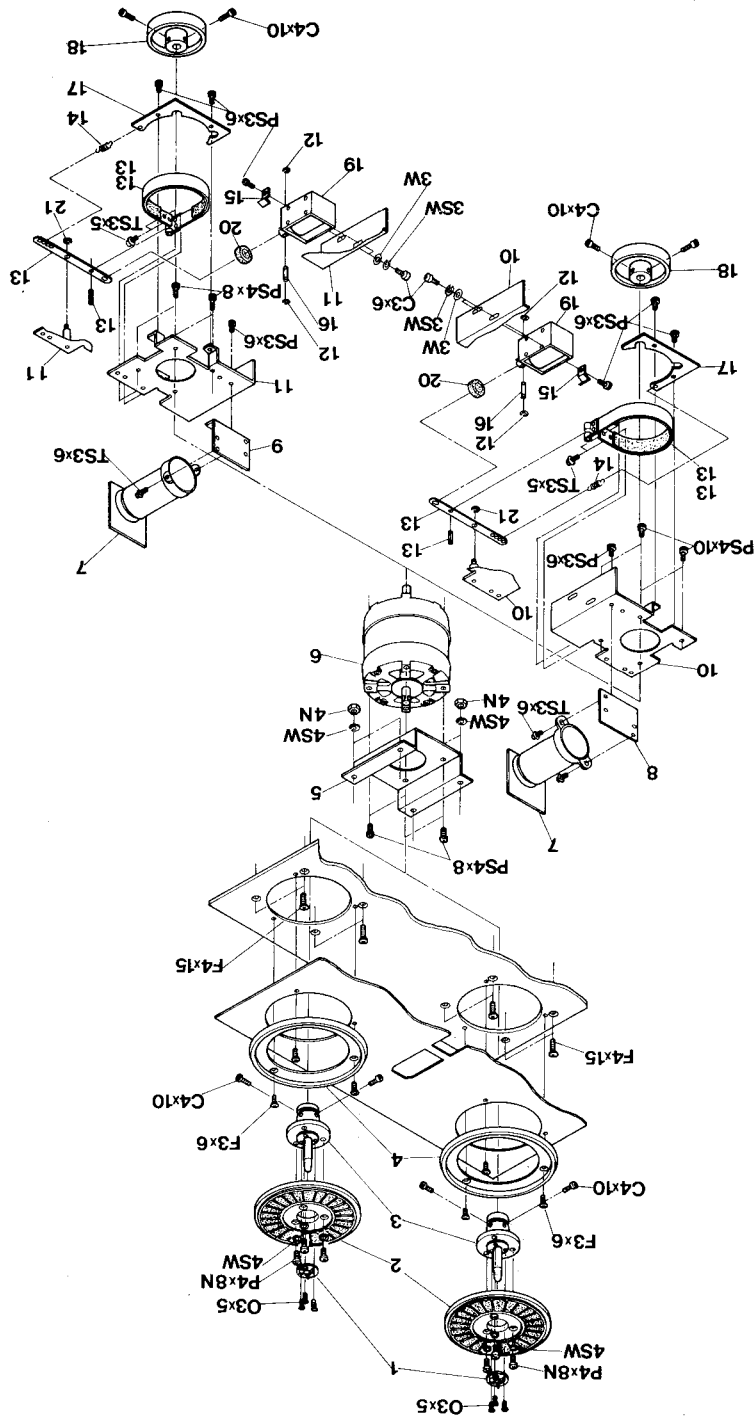
CB-252 CONTROL SWITCH ASSEMBLY [6]:

<u>Ref. No.</u>	<u>Description</u>	<u>Parts No.</u>	<u>Notes</u>
6- 1	Button A	KN2069	
2	Button B	KN2070	
3	Button C	KN2071	
4	Guide	CB20602	
5	Guide	CB20701	
6	Panel Top Control	T506705	
7	Switch Micro	WH11007	
8	P.C.B. Ass'y LED	PB-83E	
9	Button	KN2072	
10	P.C.B. Ass'y Switch	PB-78HB	

KW-4J REEL ASSEMBLY [7]:

<u>Ref. No.</u>	<u>Description</u>	<u>Parts No.</u>	<u>Notes</u>
7- 1	Nails Reel Drive	KW0E038	
2	Reel Table	KW4J002	
3	Drum Reel	KW0B017	
	Nails Reel Drive	KW0E038	Ass'y
4	Protector Reel	KW0H007A	
5	Bracket Reel Motor	KW0G016	
6	Motor Reel	MR1C012	
7	Capacitor Reel Motor	CZ10023	Ass'y PB-73R
	P.C.B. Capacitor	PB9A179	
8	Bracket L Capacitor	KW4B003	
9	Bracket R Capacitor	KW4B004	
10	Bracket L Brake	KW0G013	
11	Bracket R Brake	KW0G012	
12	Ring E	F74TE09	
13	Arm Ass'y Brake	KW-4J-A	
14	Spring Brake	GS1024	
15	Clamp Brake	KZ3A047	
16	Pin Solenoid	KZ5A003	
17	Retainer Brake	KW4B001	
18	Drum Brake	KW0A012	
19	Solenoid Brake	GP1F02	
20	Cushion	PZ1B049	
21	Ring E	F74TE15	

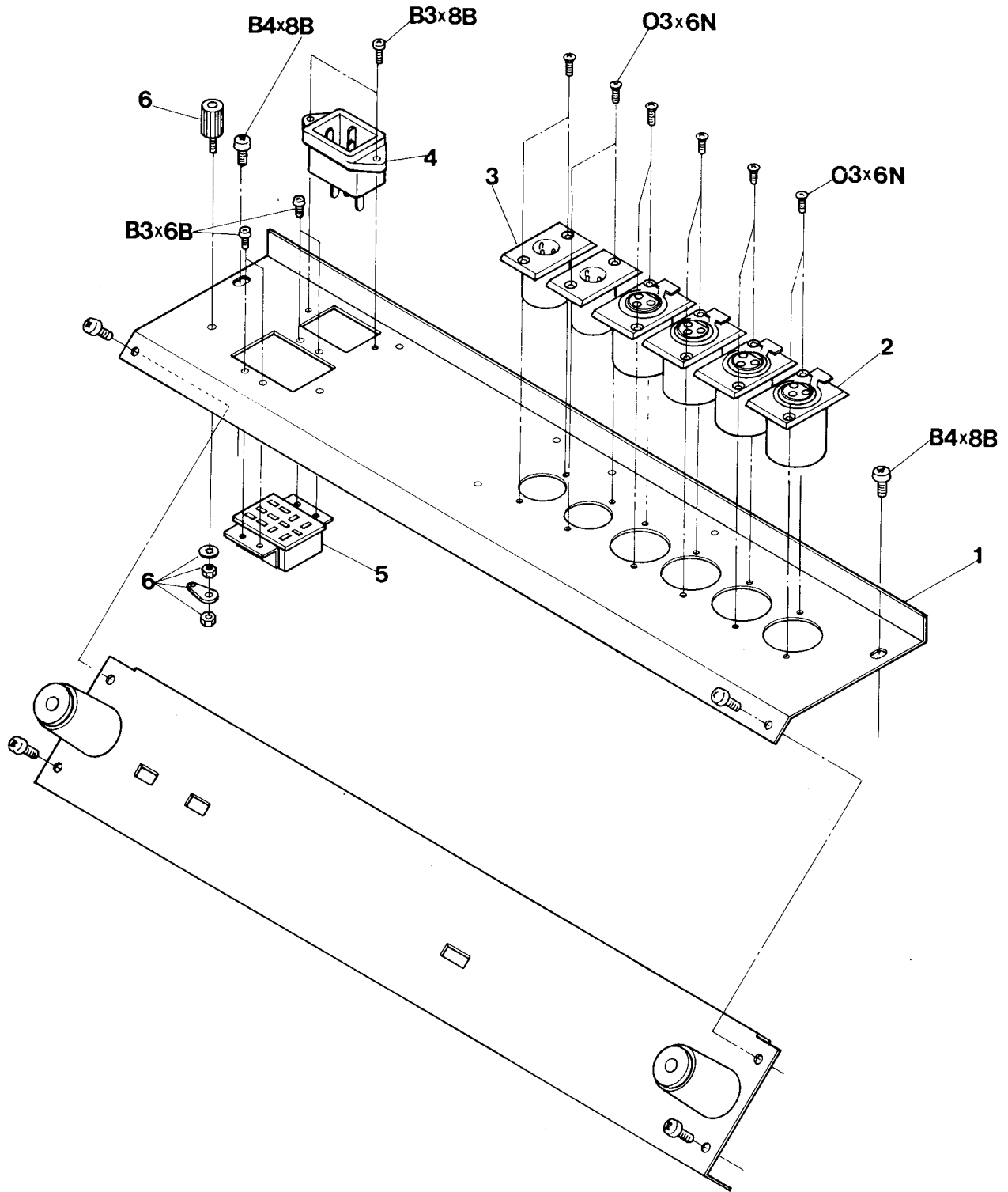
KW-4J REEL ASSEMBLY [7] :



CB-705 CONNECTOR PANEL ASSEMBLY [8]:

<u>Ref. No.</u>	<u>Description</u>	<u>Parts No.</u>	<u>Notes</u>
8-1	Panel Connector	CB70501	
2	Connector Female	CN103046	
3	Connector Male	CN103045	
4	Inlet AC	CN603012	
5	Connector Male	CN7C-006	
6	Terminal Ground	CN901040	

CB-705 CONNECTOR PANEL ASSEMBLY [8]:





AL062 REC & REPRO AMP. ASSEMBLY [9]:

